

FLOOR ROBOT

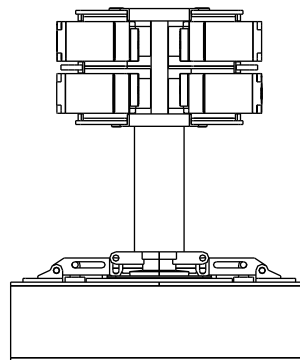
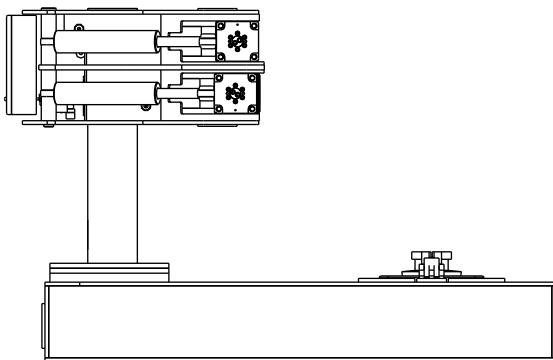
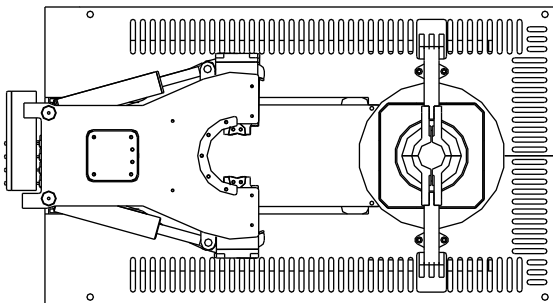
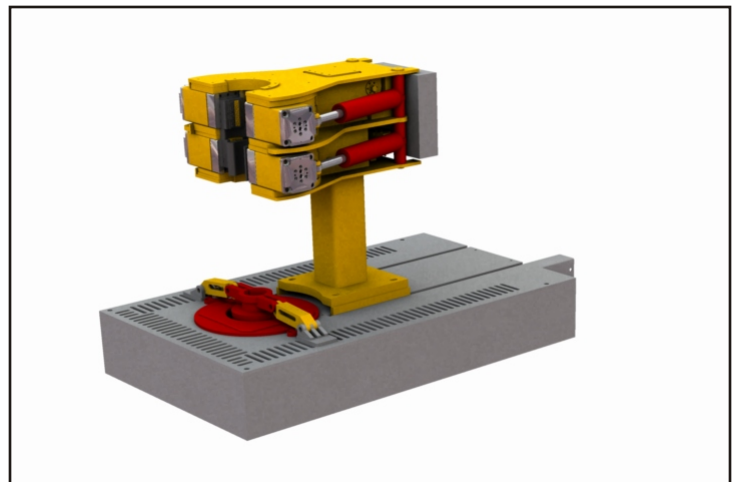
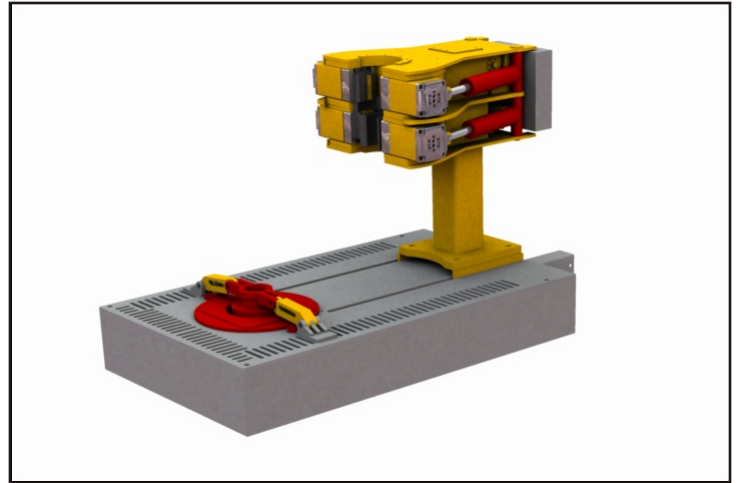
The Floor Robot combines the iron roughneck concept with a rotary base which enables all the robotic functions associated with making up or breaking out drill pipe to be carried out by one unit.

The well center opening is 20-1/2 API and can handle typical bushings, inserts etc. used in any conventional rotary table.

Hydraulic powered slip arms enable auto function of the slips.

The Iron Roughneck portion travels over well center and back out of the way. It also moves up and down 18" carrying the robust make/break clamp cylinders and anvils.

The base contains a mud drainage ditch with flo-connection underneath for directing unwanted tripping mud back to cellar or mudtank.



Rigmaster Technology Ltd.
4807 68 Avenue
Edmonton Alberta T6B 2N2

Ph: (780) 469-1244
www.rigmastertechnology.com
Email sales@rigmastertechnology.com

RIGMASTER TECHNOLOGY