

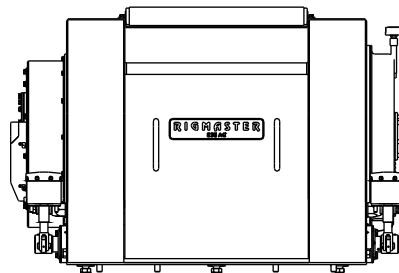
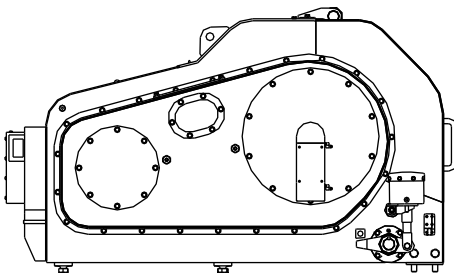
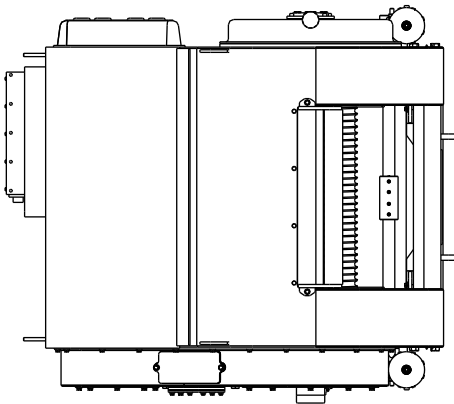
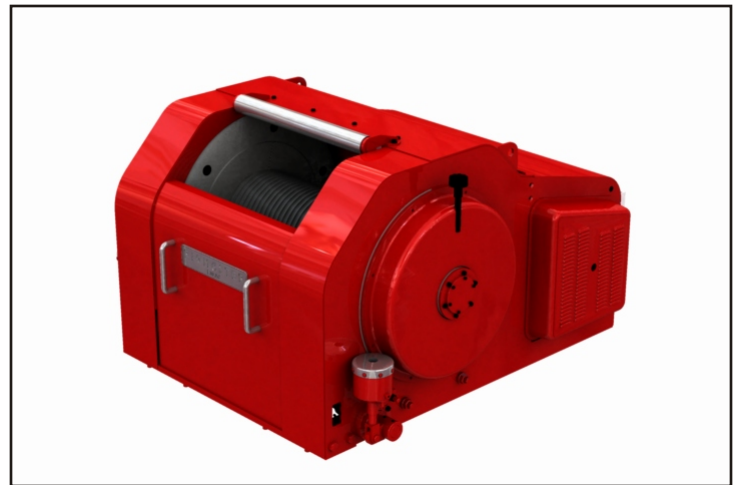
DRAWWORKS

Rigmaster Technology Drawworks are designed to be light weight and compact. The E30AC drawworks was designed for light super single drilling rigs and also coiled tubing rigs. The E50AC and E80AC will replace the typical 500 to 1000 HP drawworks on double and triples.

The design intent was to deliver a drawworks that is lighter and smaller than others with the same input horsepower and at the same time increase hook load ratings and strength criterias.

The drawworks have three independent braking systems, The AC motor for dynamic braking, band type drum braking for static load holding and an armature brake is also mounted on the motor for static load holding.

The AC motor enables ideal PLC control characteristics including crown and floor stopping, auto-drilling as well as the elimination of manual brake handle systems. Speed reduction from motor to drum is accomplished by a planetary and chain drive combination.



Rigmaster Technology Ltd.
4807 68 Avenue
Edmonton Alberta T6B 2N2

Ph: (780) 469-1244
www.rigmastertechnology.com
Email sales@rigmastertechnology.com

RIGMASTER TECHNOLOGY